

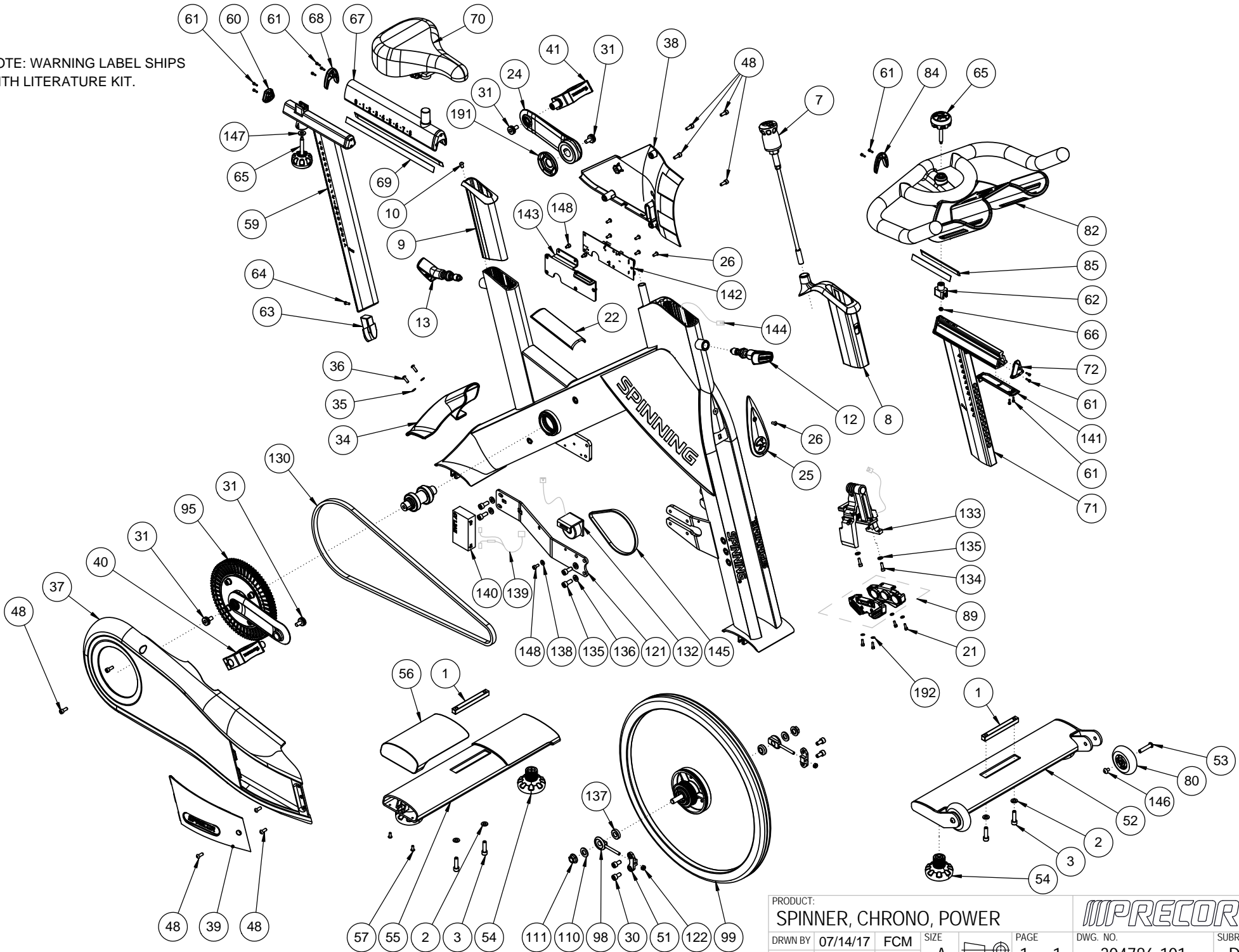
D

C

B

A

NOTE: WARNING LABEL SHIPS WITH LITERATURE KIT.



PRODUCT:		SPINNER, CHRONO, POWER			PRECOR®	
DRWN BY	07/14/17	FCM	SIZE	PAGE	DWG. NO.	SUBREV
CS	07/13/17	SM	A	1 OF 1	304786-101	D

DRAWING TEMPLATE REV. C

Bubble #	OEM Part Number	Description
1	PPP000000RX3TZ7000	BAR, STABILIZER MOUNT
2	PPP000000RX3R4J000	WASHER, M8
3	PPP000000RX3V0Q000	BOLT, M8X30
7	PPP00RX10L941VA000	BRAKE ROD, NEUTRAL GRAY
8	PPP00RX10L93TYJ102	SLEEVE, HANDLEBAR
9	PPP000000RX3TYL000	SLEEVE, SEAT POST
10	PPP000000RX3FYL000	SCREW, BUTTON HEAD, M6
13	PPP00RX10L941VC000	ASSY, SELECTOR PIN, ACME,SEAT, NEUT
21	PPP000000RX3R4X000	SHCS, M4X0.7
22	PPP000000RX3V72000	ASSY, COVER, STEP THRU
24	PPP000000RX3TZG000	CRANK, LEFT
25	PPP000000RX3V73000	ASSY, BADGE
26	PPP000000RX0JZT000	SCREW, M5
30	PPP000000RX0JUU000	SHCS, M8X1.25, 16MM LONG
30	PPP000000RX3EJS000	SHCS, M8 X 16, E-COAT
31	PPP000000RX3TZL000	BOLT, CRANK
34	PPP000000RX3U0P000	COVER, STRETCH PAD
35	PPP000000RX0J4D000	WASHER, STRETCH PAD
36	PPP000000RX0JZU000	SCREW, STRETCH PAD
37	PPP00RX10L941NP000	COVER, DRIVE SIDE
38	PPP000000RX3U0R103	COVER, NON DRIVE SIDE, W/DRAIN HOLE
39	PPP000000RX3V75000	ASSY, COVER, ACCESS PANEL
40	PPP000000RX3TZK000	PEDAL, RIGHT
41	PPP000000RX3TZJ000	PEDAL, LEFT
48	PPP000000RX3VAV000	SCREW, BUTTON HEAD, M6X1.0X16, E-CO
51	PPP000000RX3TZZ000	FIXED ADJUST, FLYWHEEL
52	PPP000000RX3TYT000	STABILIZER, FRONT, WELDMENT
53	PPP000000RX3TZ1000	AXEL, WHEEL
55	PPP000000RX3TZ4000	STABILIZER, REAR, WELDMENT
56	PPP000000RX3V7C000	ASSY, COVER, REAR STABILIZER
57	PPP000000RX3AD0000	BOLT, M5X0.8

59	PPP000000RX3TY6102	WELDMENT, SEAT POST, BRIGHT
60	PPP00RX10L93TYA102	ENDCAP, SEAT POST
61	PPP000000RX0JU0000	SHCS, M3X8
62	PPP000000RX3TY5102	BLOCK, FIXED
63	PPP000000RX3TYB000	BUMPER, SEAT POST
64	PPP000000RX1550000	FHMS, M4
66	PPP000000RX30YZ000	NUT, NYLOCK, M5X0.8
67	PPP000000RX3TYC102	WELDMENT, SEAT SLIDE, BRIGHT
68	PPP000000RX3TYF000	ENDCAP, SEAT SLIDE
69	PPP00RX10L93XDZ000	GLIDE, SEAT
70	PPP000000RX3TYH000	SEAT
71	PPP000000RX3TXP102	WELDMENT, HANDLEBAR POST, BRIGHT
72	PPP00RX10L93TXR102	ENDCAP, HB FIXED
80	PPP000000RX3TZ0000	WHEEL
82	PPP000000RX3TXT000	ASSY, HANDLEBAR
83	PPP000000RX3TXZ102	HANDLEBAR, ADJUSTABLE, BRIGHT
84	PPP00RX10L93TY0102	ENDCAP, HANDLEBAR, UPPER
85	PPP00RX10L93XDY000	GLIDE, HANDLEBAR
86	PPP000000RX3V2D000	SHCS, M8X1.25
89	PPP000000RX3VBQ000	ASSEMBLY, MAGNET SET
89.1	PPP000000058248101	CS KIT, MAGNET GAP FIXTURE
95	PPP000000RX3V79000	ASSEMBLY, DRIVE CRANK
98	PPP000000RX3TZW000	FLYWHEEL ADJUST TUG
99	PPP000000RX3V6U102	ASSY, FLYWHEEL
110	PPP000000RX3U6E000	WASHER, M12X2.5
111	PPP000000RX3U6B000	NUT, FLYWHEEL, M12X1.25
121	PPP000000RX3U0M000	BRACKET, CROSS MEMBER
122	PPP000000RX32RA000	NUT, FLYWHEEL ADJUST
130	PPP000000RX3U6N000	BELT, CONTI 1440
132	PPP000000RX3V76000	ASSEMBLY, GENERATOR
133	PPP000000RX3V6W000	ASSY, BRAKE, POWER

134	PPP000000RX20QC000	SHCS, M5X0.8
135	PPP000000RX3FXR000	WASHER, M5
135	PPP000000RX3SCQ000	SHCS, M6
136	PPP000000RX3SCM000	WASHER, M6
137	PPP000000RX3TZV000	SPACER, AXLE, FLYWHEEL
138	PPP000000RX3LMW000	WASHER, M5
139	PPP000000RX3U24000	CABLE, BATTERY
140	PPP000000RX3U26000	BATTERY
141	PPP000000RX3TXS000	COVER, CABLE
142	PPP000000058250101	CS KIT, CHRONO LPCA COVER KIT
142.1	PPP000000013289060	ASSY,CBL,USB 2.0, A MALE/MOD,6P6C,P
143	PPP000000RX3U0J000	BRACKET, LPCA
144	PPP000000RX3U23000	CABLE, COMMUNICATION
145	PPP000000RX3U6L000	BELT, GENERATOR
146	PPP000000RX3VFE000	SCREW, BUTTON HEAD, M6 X10
147	PPP000000RX3VFF000	WASHER, SEAT KNOB, POM, 8X18X2.1
148	PPP000000RX3FYN000	SHCS, M5 X 8
148	PPP000000RX3SCP000	SCREW, M5
149	PPP000000RX3X3G000	COVER, LPCA, CHRONO
191	PPP000000RX3ULZ000	COVER, BB
192	PPP000000RX0J66000	FLAT WASHER
205	PPP000000058265101	CS KIT, FRAME TIE WRAPS
250	PPP000000RX3UY2102	HARDWARE KIT, SPINNER CHRONO